

## Substructure – Cabinets Mechanical Interface

Interface Document: LN-MPIA-FDR-INT-092		Issue: 1.0
Relevant Documents:		
Brief Description: This document describes the mechanical interface between cabinets and the substructure.		
Prepared: L. Mohr Date: 14. April 2005	Approved: R.R. Rohloff Date: 28. April 2005	Released: M. Kürster Date: 25. May 2005

### Interface Description

The interface between the substructure and the cabinets is identified but not yet defined. The cabinets are mounted in any case at the steel base frame of the substructure (see Fig. 1). Fig. 2 shows a possible configuration for the position of the cabinets.

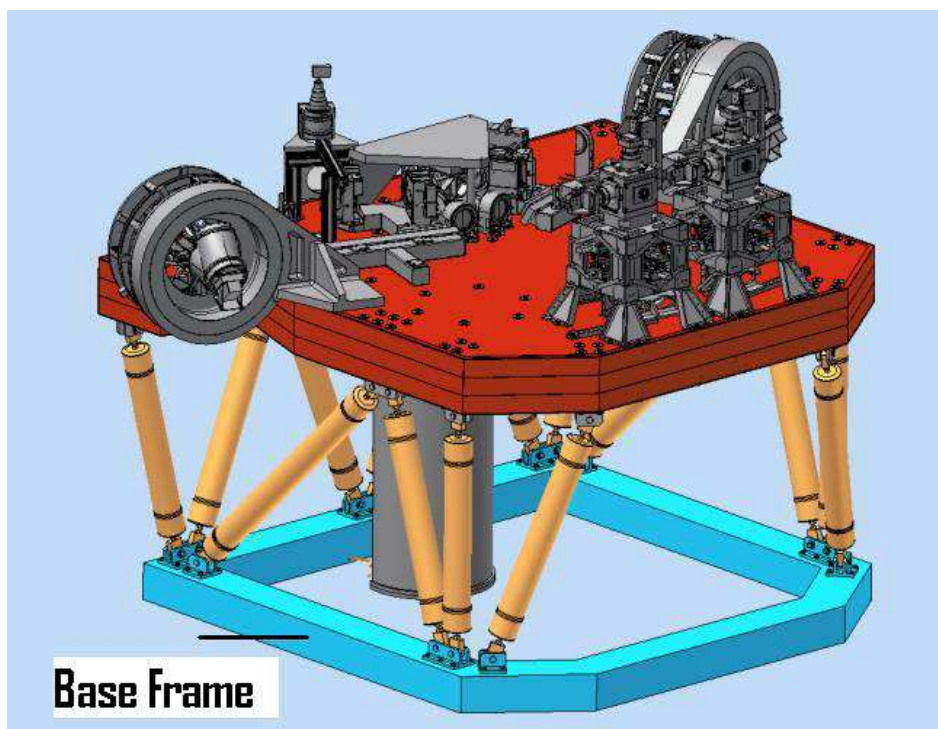


Fig. 1 Steel base frame of LINC-NIRVANA (blue)

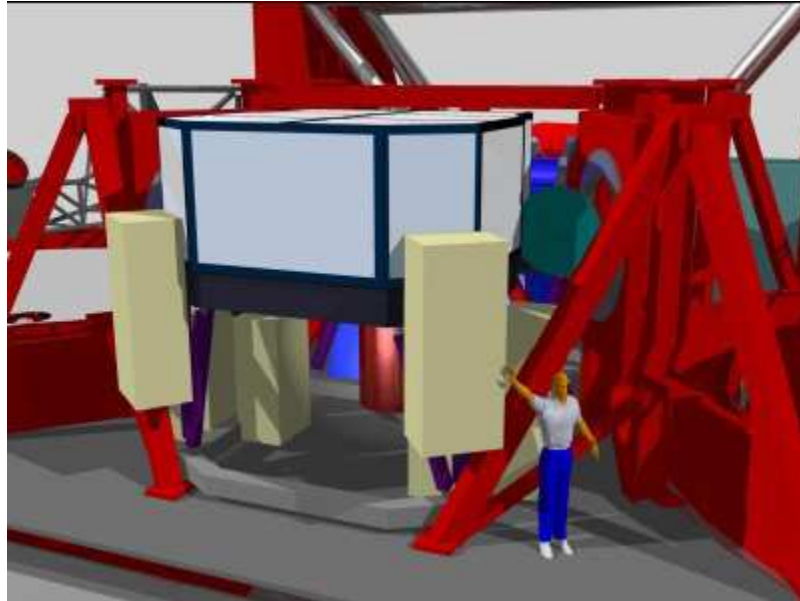


Fig. 2 Possible configuration for the position of the cabinets